



1/3软顶天窗 安装说明书

1/3 Soft Top Sunroof Installation Manual

适用烈马4门车型
Bronco 4-Door Model-2021~2024

JESE 软顶

地址：福建省福州市仓山区盖山镇叶厦路195号1#厂房第四层401室

电话：16762310000

每个人心中都有一个敞篷梦.....

Everyone has a convertible dream in their heart

安装提示 Installation Tips:

在开始安装新的软顶之前, 请仔细阅读所有说明, 并观看软顶安装视频。(请参阅本页的“支持”部分)。
Before you begin installing your new Soft top, please read all the instructions thoroughly, and watch the soft-top Installation video. (See Support section on this page).

为了便于安装, 软顶应在常温23°C以上的温度下安装。低于此温度, 织物可能会收缩, 使其难以安装到车辆上。
For easier installation, the top should vbe installed at a temprature above 23°C. Below this temprature, the fabric may contract making it difficult to fit the vehicle.



警告: WARNING

切勿以任何方式依赖本产品的组件来防止事故发生时受伤或死亡。切勿超出制造商的规格操作车辆。
Do not rely in any way on the components of this product to protect against injury or death in the event of an accident. Never operate the vehicle in excess of manufacturer's specifications.

安装本产品时, 请仔细阅读并严格遵守所有安装说明。否则, 可能会导致安装不合适, 并可能使车内人员处于潜在的危险境地。
Read and follow, precisely, all installation instructions provided when installing this product. Failure to do so may result in a poor fit and could place occupants of the vehicle in a potentially dangerous situation.

安装本产品时应始终佩戴安全眼镜。Safety glasses should be worn at all times when installing this product.



注意: Notes

我们建议使用两个人帮助将顶篷抬到车上。第 13 和 14 页提供了单独的说明。*We suggest using two people to help lift the top onto the vehicle. Page 13 and 14 have separate instructions.

所需工具 Tools	安装时间: Installation Time	支持 Support
 <p>梅花批头 T30 T40 and T50 Torx Drivers</p> <p>一字螺丝刀 Slotted Screwdriver</p> <p>安全眼镜 Safety Glasses</p> <p>棘轮扳手 Ratchet</p> <p>8# 10# 13# 套筒 Socket</p>	<p>0 30 0.5 小时 HOURS</p> <p>技能等级: Skill Level</p> <p>1 2 3 4</p> <p>1 - 简单 Easy</p>	<p>软顶安装查看请点击或扫描以下二维码 We're here to help! Go to: Link and click on Need Help?</p> 



警告: WARNING

- 打开、关闭时，拆卸或安装可拆卸车辆部件时，请小心不要让手指或手被装置夹住。不遵守此说明可能会导致人身伤害。
When opening/closing, removing or installing removable vehicle parts, be careful not to get your fingers or hands caught in the mechanism. Failure to follow this instruction could result in personal injury.
- 请勿在未固定后车顶板的情况下驾驶车辆。不遵守此说明可能会导致车顶板意外与车辆分离。
Do not drive the vehicle without securing the rear roof panel. Not following this instruction may result in accidental separation of the roof panel from the vehicle.
- 除非安装的车顶已正确固定，否则请勿驾驶车辆。不遵守此说明可能会导致车顶板意外与车辆分离。
Do not drive the vehicle unless the installed roof panel is properly secured. Failure to follow this instruction may result in the roof panel accidentally separating from the vehicle.



注意: Notes

- 拆除车顶需要两名成人。如果软顶有任何损坏，请联系授权经销商。
Two adults are required to remove the center roof panels. If there is any damage to the soft top, contact an authorized dealer.
- 安装时，确保后车顶板上的定位销与车辆齐平。
When installing, ensure the locating pins on the rear roof panel are level with the vehicle.

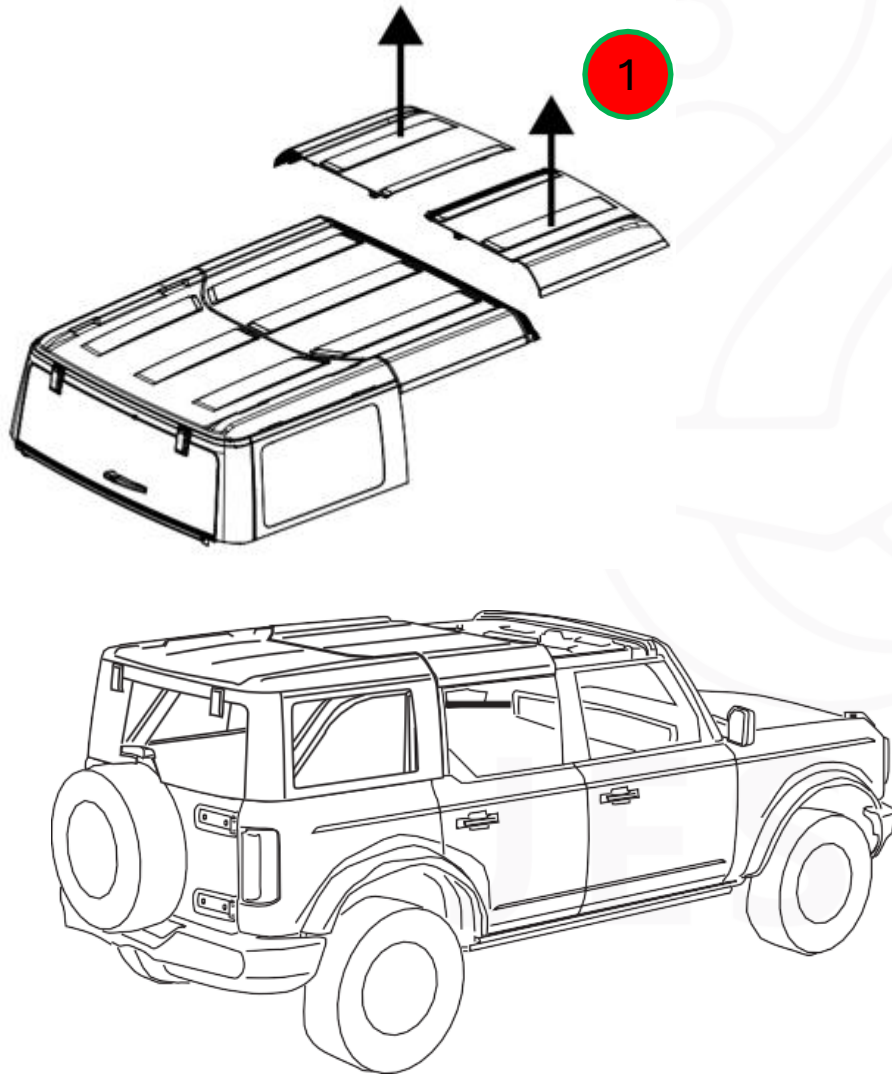
零件清单 Part List:



注意: Notes

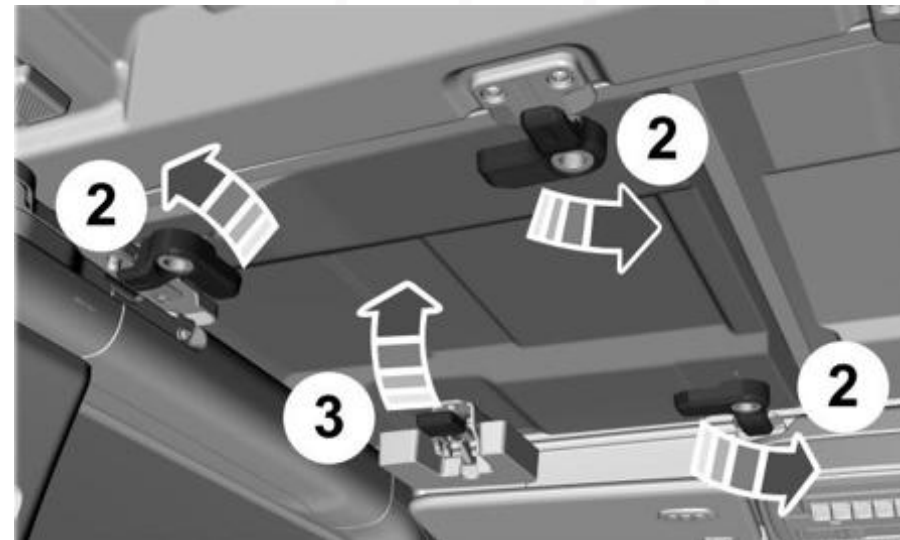
拆下原厂硬顶。(详情请参阅车主手册)

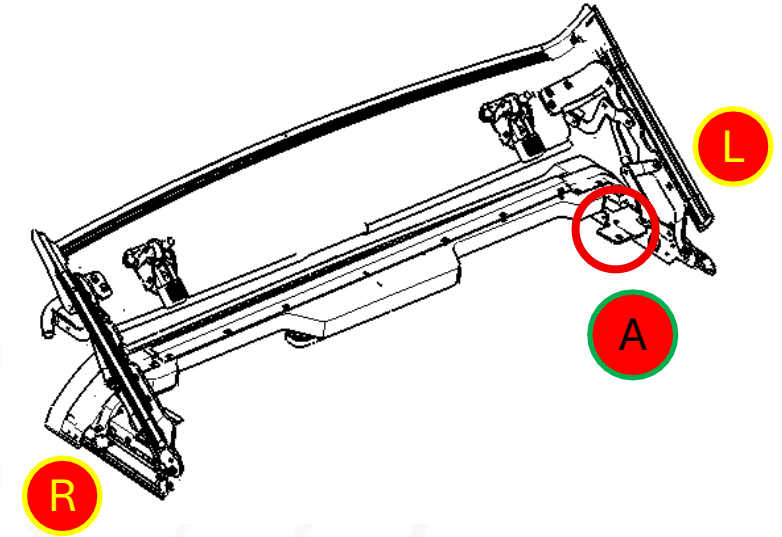
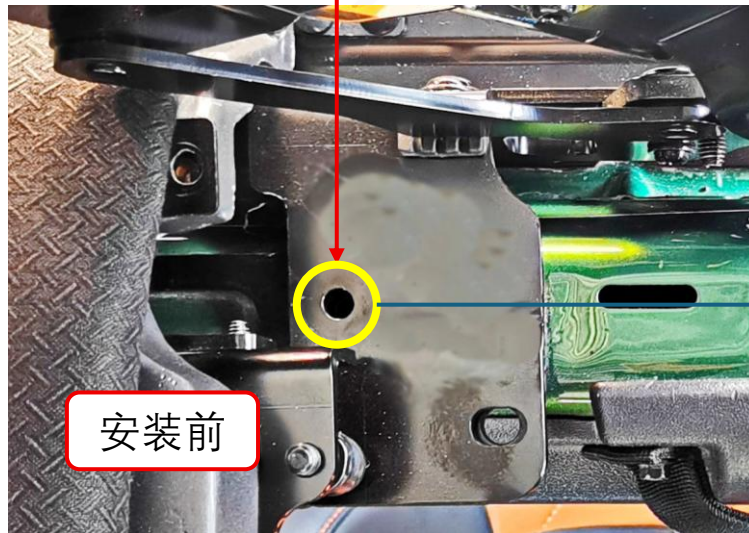
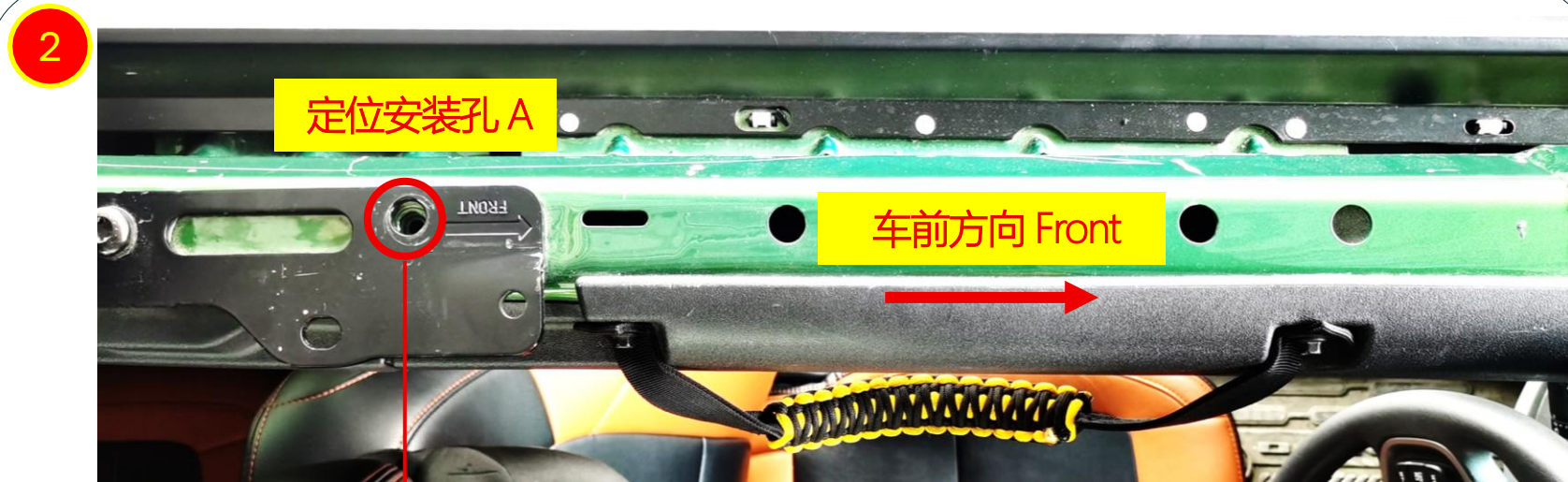
Remove the factory hardtop. (See owners manual for details)


1

拆卸前排车顶板: 先拆下驾驶员侧前车顶板, 然后再拆下乘客侧前车顶板。
Remove the front roof panel: Remove the driver's side front roof panel first, then remove the passenger's side front roof panel.

1. 将遮阳板 折叠到挡风玻璃上。Fold the sun visor over the windshield.
2. 转动驾驶员侧前车顶板上的三个 L 形门锁 (2), 将其从车顶解锁。Unlatch the three L-shaped latches (2) on the driver's side front roof panel from the roof by turning it.
3. 松开挡风玻璃顶部的驾驶员侧头部面板门锁。Release the driver's side head panel latch at the top of the windshield.
4. 拆下驾驶员侧前车顶板。Remove the driver's side front roof panel.



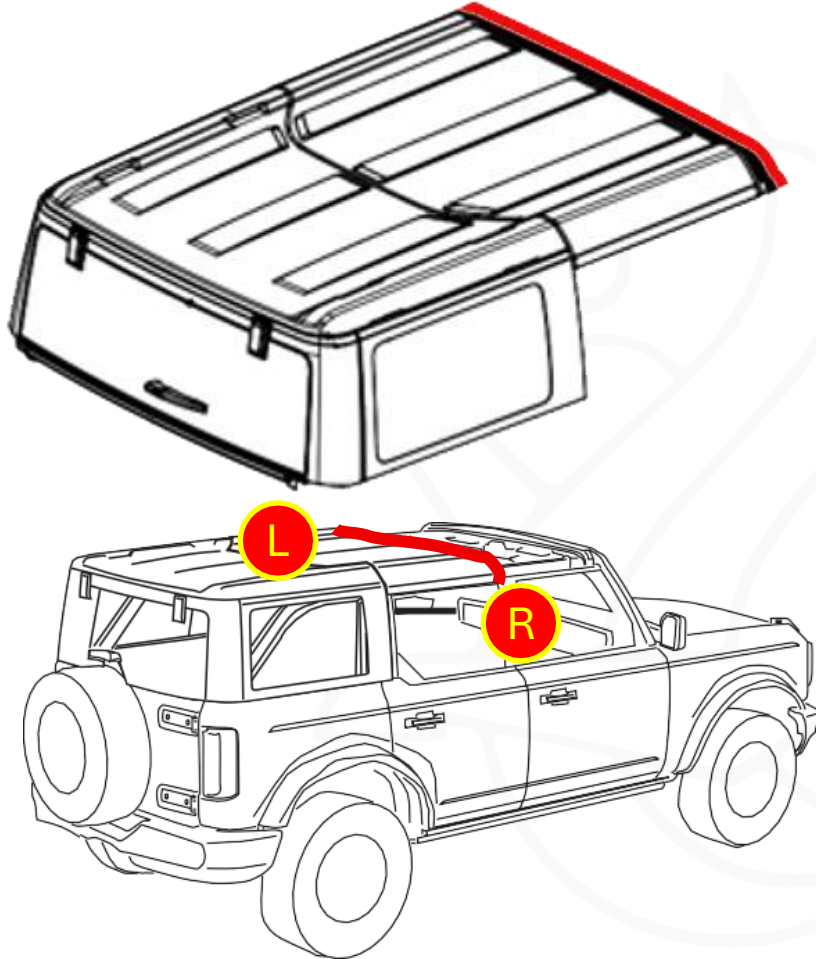


- 在孔A 处进行1/3软顶总成定位安装，进行定位螺栓锁紧（如图是左侧，右侧安装一致）
- Install the 1/3 soft top assembly at hole A and tighten the positioning bolts (as shown on the left side, the installation on the right side is consistent)



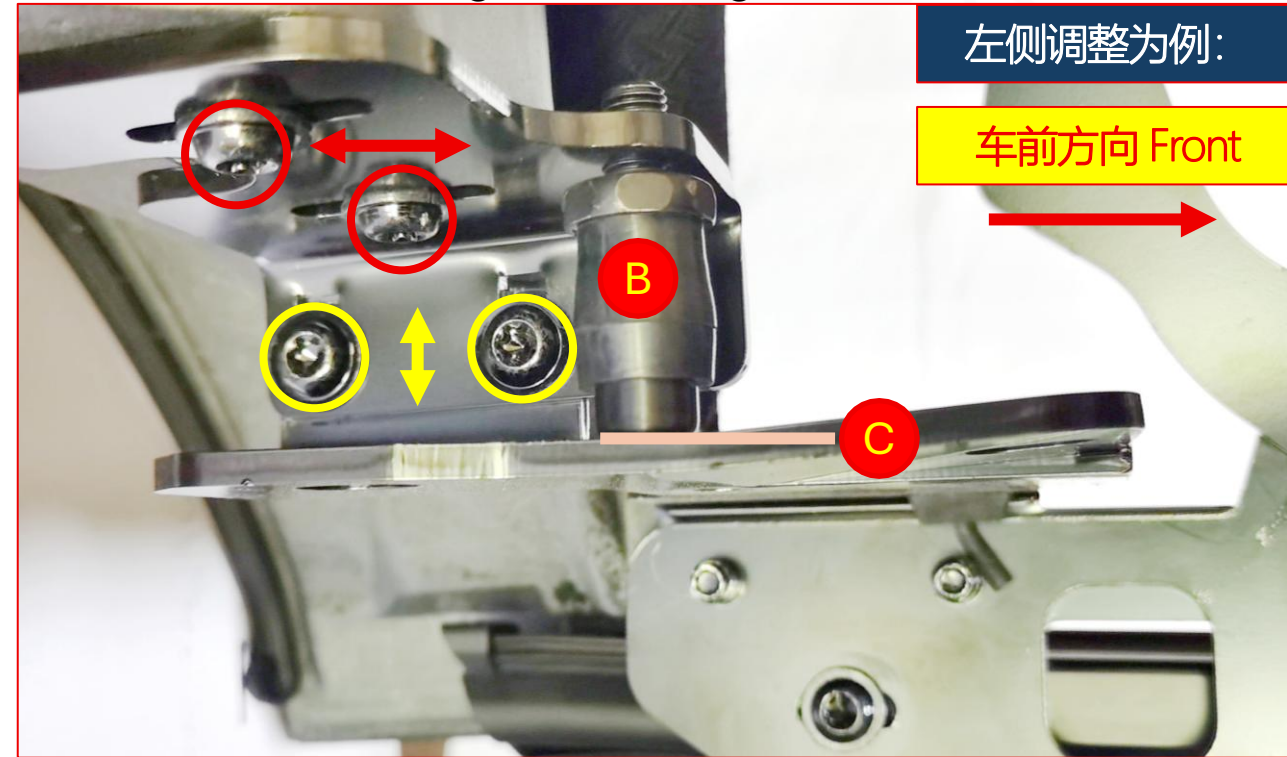
注意：螺丝一定要锁紧。
Attention: The screw must be locked tightly.

3

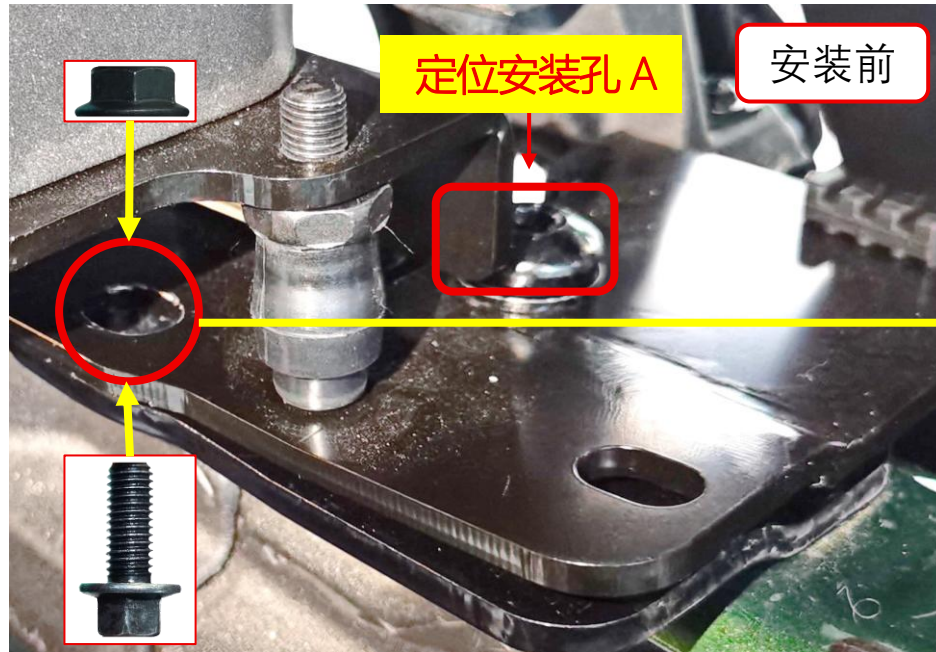


- 在定位螺栓锁紧安装完成后，检查软顶和硬顶之间的间隙紧密贴合，确保无缝隙（如图红色线部位）
- Install the 1/3 soft top assembly at hole A and tighten the positioning bolts (as shown on the left side, the installation on the right side is consistent)

- 由于车身及硬顶系统误差造成贴合密封性不均匀，可以通过一下方法进行后PHC的位置调节。
- Due to system errors in the body and hardtop, uneven fit can be achieved by adjusting the position of the rear PHC using the following method.



- 如图红色两个螺丝松开调前后方向的贴合密封性，检查确认密封性OK后，进行螺丝锁紧。同样方法调上下方向的密封性（黄色两颗螺丝），上下密封性调整后，再调整B零件，确保C处面的间隙为0mm。（右侧的调整方法一样）。Loosen the two red screws as shown in the picture and adjust the sealing in the front and rear directions. After checking and confirming that the sealing is OK, tighten the screws. Using the same method, adjust the sealing performance in the up and down directions (two yellow screws). After adjusting the sealing performance in the up and down directions, then adjust part B to ensure that the gap at point C is 0mm (The adjustment method on the right is the same)



4

- 进行B 处后端螺栓固定锁付，进行定位螺栓锁紧（如图是左侧，右侧安装一致）
- Fix and lock the bolt at the back end of point B, and tighten the positioning bolt (as shown in picture, the left side is installed consistently, and the right side is installed consistently)



工具：开口扳手13x10mm
Tool: Open end wrench

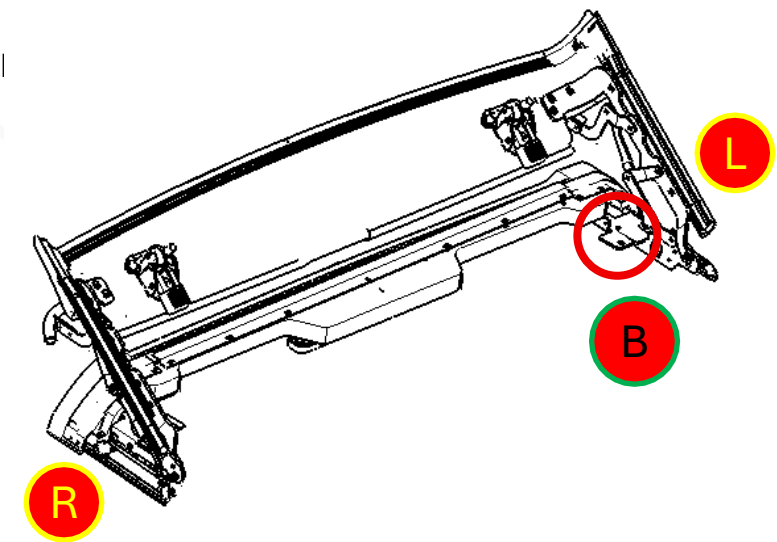




图1 Figure 1

第一步：关闭软顶：在C处位置进行抬升旋转闭合，完成软顶的关闭

Step 1: Close the soft top: Make sure that position B is in the locked state, lift and rotate at position C to close the soft top.



注意：

1.软顶未安装完成及锁止之前请勿驾驶车辆。

Do not drive the vehicle until the soft top is installed and locked.



图2 Figure 2

第二步：在图2中间把手位置处（红色），一只手把PHC零件往下拉紧，另一只手扣紧箭头位置的锁扣，（右侧一致）完成软顶的安装。

Step 2: At the middle handle position in Figure 2 (red), one hand tightens the PHC part downwards, and the other hand tightens the latch at the arrow position (consistent on the right) to complete the installation of the soft top.